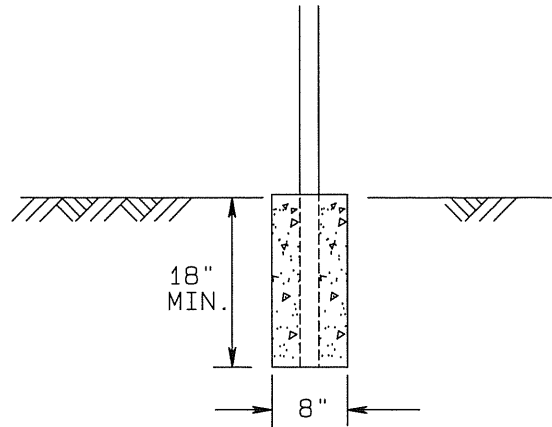
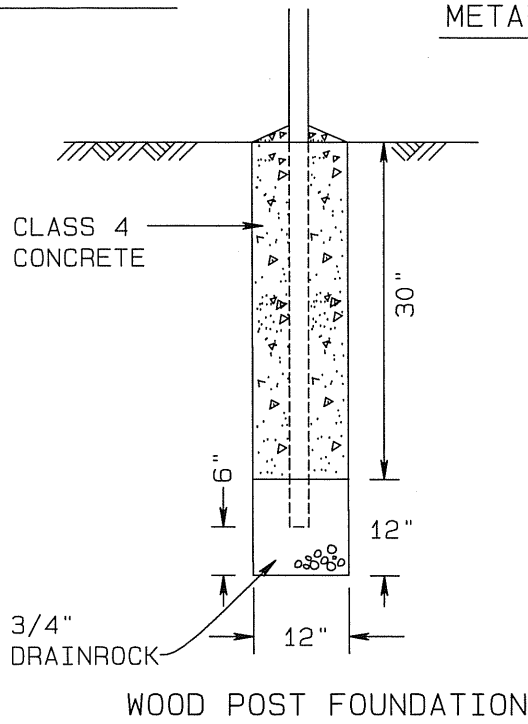


METAL POLE-SIDEWALK



METAL POLE-NO SIDEWALK



WOOD POST FOUNDATION

NOTES:

1. 3/4" DRAINROCK SHOWN IN THE POST FOUNDATION DETAIL ONLY APPLIES TO WOOD POSTS.
2. DESIGN SHALL CONFORM TO THESE REQUIREMENTS UNLESS DIRECTED OTHERWISE BY THE COUNTY.
3. CONCRETE CONTAINING FOUR SACKS OF CEMENT PER CUBIC YARD MEETS THE CRITERION FOR CLASS 4 CONCRETE.

**COUNTY OF SONOMA
DEPARTMENT OF TRANSPORTATION
AND PUBLIC WORKS**

**SIGN
FOUNDATIONS DETAILS**

DATE: MAY 2004

REVISED: MAY 2007

APPROVED BY:

SCALE:
NONE

DRAWING NO.

712A