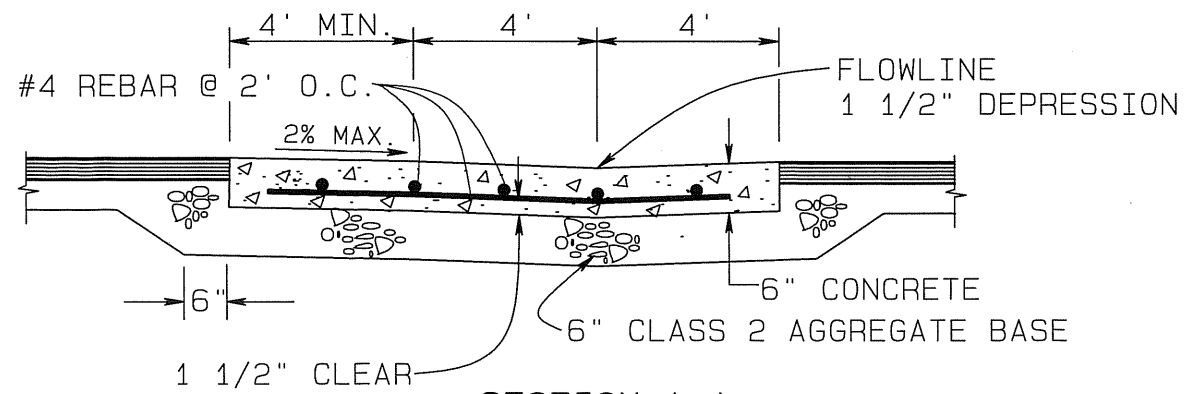


WEAKENED PLANE JOINTS
SEE NOTE 3

PLAN



SECTION A-A

NOTES:

1. CONCRETE SHALL BE CLASS 2. CONCRETE CONTAINING SIX SACKS OF CEMENT PER CUBIC YARD MEETS THIS CRITERION.
2. AGGREGATE BASE SHALL BE COMPACTED TO A RELATIVE COMPACTION OF 95%.
3. WEAKENED PLANE JOINTS AND EXPANSION JOINTS. SEE DETAILS ON DRAWING NO. 222.
4. THE CROSS SLOPE OF THE PEDESTRIAN CROSSING SHALL NOT EXCEED 2%.

COUNTY OF SONOMA DEPARTMENT OF TRANSPORTATION AND PUBLIC WORKS		
VALLEY GUTTER TYPE CROSS GUTTER FOR PUBLIC ROADS		
DATE: MAY 2004	REVISED: AUG. 2007	
APPROVED BY:	SCALE: NONE	DRAWING NO. 406