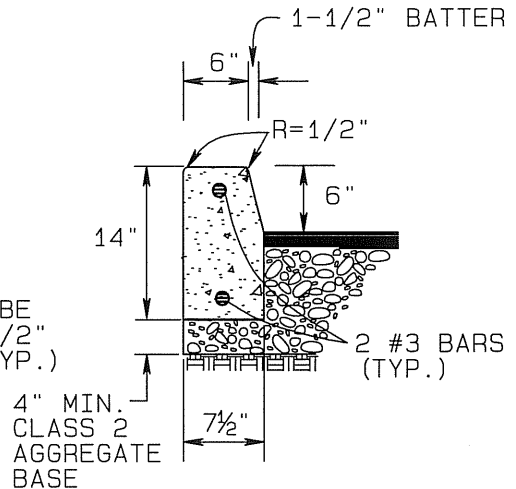
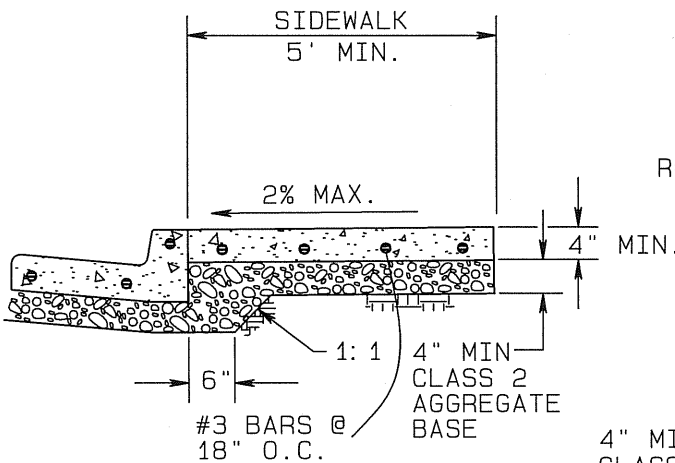


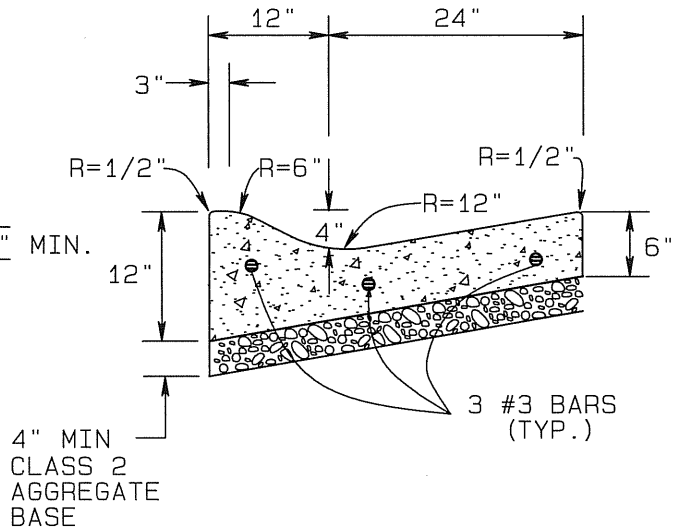
STANDARD CURB AND GUTTER



A1-6 CURB



SIDEWALK



ROLLED CURB AND GUTTER

NOTES:

1. CONCRETE SHALL BE MINOR CONCRETE. CONCRETE CONTAINING SIX SACKS OF CEMENT PER CUBIC YARD MEETS THIS CRITERION.
2. BASE MATERIAL SHALL BE COMPACTED TO A RELATIVE COMPACTION OF 95%.
3. SEE DRAWING 222 FOR REQUIREMENTS RELATED TO WEAKENED PLANES, SCORE MARKS AND EXPANSION JOINTS.
4. WHEN JOINING TO EXISTING SIDEWALKS AND CURBS, DRILL 12" INTO EXISTING SIDEWALKS AND CURBS AND PLACE No.4x24" STEEL BAR INTO EXISTING AND NEW CONCRETE CURB AND GUTTER.

COUNTY OF SONOMA DEPARTMENT OF TRANSPORTATION AND PUBLIC WORKS		
CURB, GUTTER AND SIDEWALK		
DATE: MAY, 2004	REVISED: FEB. 2009	
APPROVED BY:	SCALE: NONE	DRAWING NO. 220